



Model No. : OEM-Z402/DZ25-3L



Product Introduction

Easy operation, change tube rapidly. The house material is PPS (polyphenylene sulfite). 304 stainless steel rollers. DZ25 pump head use 2.4mm wall thickness tube, the flow rate range is 0.211-3600mL/min. This pump head is suitable for high viscous liquid which include granule and floc. It also suitable for high pressure request. New cartridge structure design, can use the special connector, connect low cost tubing outside the pump head to save cost; also can use flexible tube clamp, meet hygiene requirement.

Typical Application

1. This pump head is suitable for high viscous liquid which include granule and floc.
2. It is also suitable for high pressure request.

Flow Data

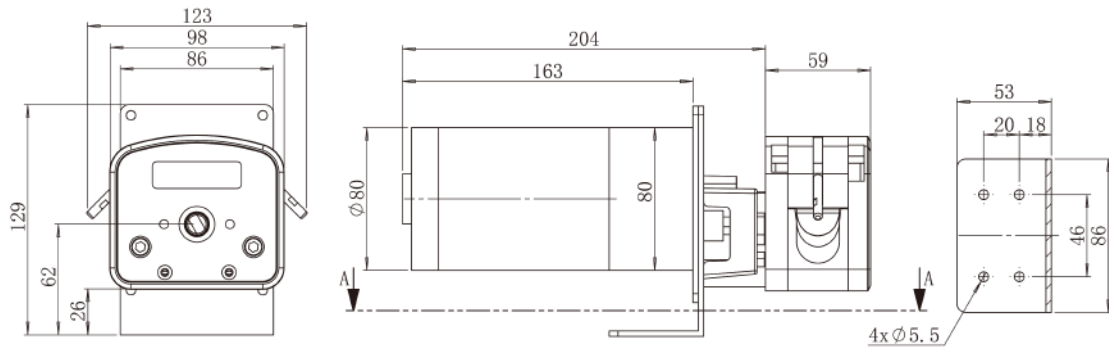
| Pump Head | Housing Material | | Tubing | | Speed Range(rpm) | Flow Rate (mL/min) | Weight (kg) |
|-----------|------------------|-----------------------|--------------|-------------------|------------------|--------------------|-------------|
| | Body | Tubing Clamp Material | Tubing Sizes | ID×Wall Thickness | | | |
| DZ25-3L | PPS | PP | 15# | 4.8×2.4(mm) | 0.1-600 | 0.211~1264 | 0.5 |
| | | | 24# | 6.4×2.4(mm) | | 0.385~2310 | |
| | | | 35# | 7.9×2.4(mm) | | 0.508~3050 | |
| | | | 36# | 9.6×2.4(mm) | | 0.6~3600 | |

Motor Specification

| Model No. | Motor type | Power supply | Speed(rpm) | Speed error | Working environment |
|-----------|-----------------|--------------|------------|-------------|---------------------|
| OEM-Z402 | DC geared motor | DC24V | 600 | ≤+10% | 0-40C, 80%RH |



Dimension Drawing (Unit:mm)



Tubing Installation Procedure



A. Lift both side levers, take off the upper block.



B. Put the tubing with cartridge or connector into pump housing.



C. Install the upper block, put down the levers to lock the block.