

**Model No. : OEM-UB01/UD15****Product Introduction**

PES material, transparent protecting cover, easily to observe the working situation of pump head and tubing at any time. Various of colors are available. There is water-proof groove in the pump head mounting side. Can use stepper motor, DC motor, AC motor and so on to drive.

Typical Application

Widely used in industrial washing machines, dishwashers, fermentation tanks, analytical instruments supporting.

Flow Data

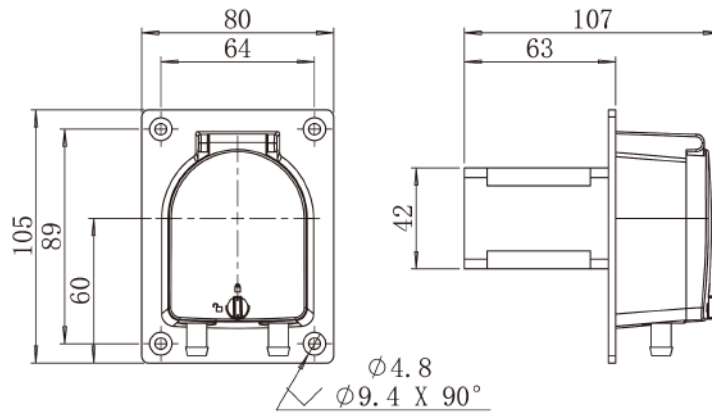
Pump Head	Housing Material		Tubing		Speed Range(rpm)	Flow Rate (mL/min)	Weight (kg)
	Body	Protective cover	Tubing Sizes	ID×Wall Thickness			
UD15	PSF	Transparent PC	16#	3.1×1.6	0.1-350	0.08-280	0.12
			25#	4.8×1.6		0.16-580	
			17#	6.4×1.6		0.26-930	

Motor Specification

Model No.	OEM-UB01
Speed range	0.1-350 rpm
Flow rate range	0.08-930mL/min
Motor type	42 stepper motor
Motor phase number	2
Motor step angle	1.8°
Motor phase voltage	2.2V
Motor phase current	1.0A
Working environment	0-40°C, 80%RH



Dimension Drawing (Unit:mm)



Tubing Installation Procedure



A. As below picture,turn the holding pin to unlocking position.

B. Open the transparent cover.

C. Install the tubing.

D. Close the transparent cover, and turn the holding pin to locking position.