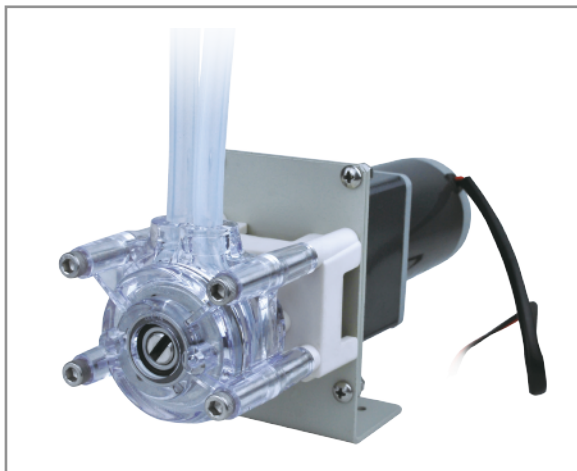


**Model No. : OEM-Z109/SN****Product Introduction**

Standard pump head with compact structure, exquisite appearance, fixed occlusion and stable running. Can stack several pump heads, and support various equipment.

Typical Application

1. Use in the ice cream machine and coffee making machine
2. Support COD on-line monitor

Flow Data

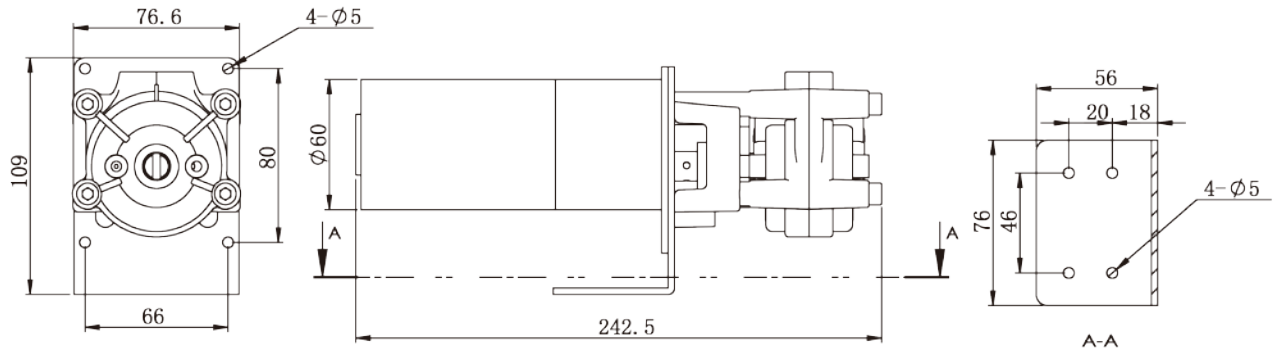
Pump Head	Housing Material	Rollers Material	Tubing		Speed Range(rpm)	Flow Rate (mL/min)	Weight (kg)
			Tubing Sizes	ID×Wall Thickness			
SN15-14	PC	304 stainless steel	14#	1.6×1.6(mm)	0.1-600	0.024 ~144	0.20
SN15-16			16#	3.1×1.6(mm)		0.088~528	
SN25			24#	6.4×2.4(mm)		0.25~1500	

Motor Specification

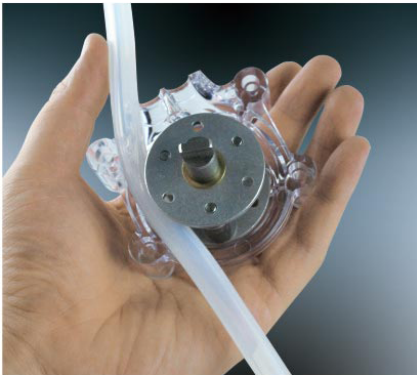
Model No.	OEM-Z109
Mix. flow rate	1500mL/min
Motor type	DC geared motor
Voltage	DC12V
Speed	600rpm
Speed error	≤±10%
Working environment	0-40°C, 80%RH



Dimension Drawing (Unit:mm)



Tubing Installation Procedure



A. Disassemble the pump head, and press the tubing on the rollers.



B. Make the tubing go around the rollers one cycle, and merge it on the exit.



C. Tighten the tubing aptly, and load the other half pump head body.